

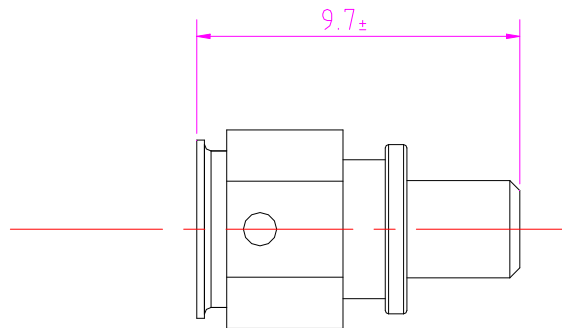


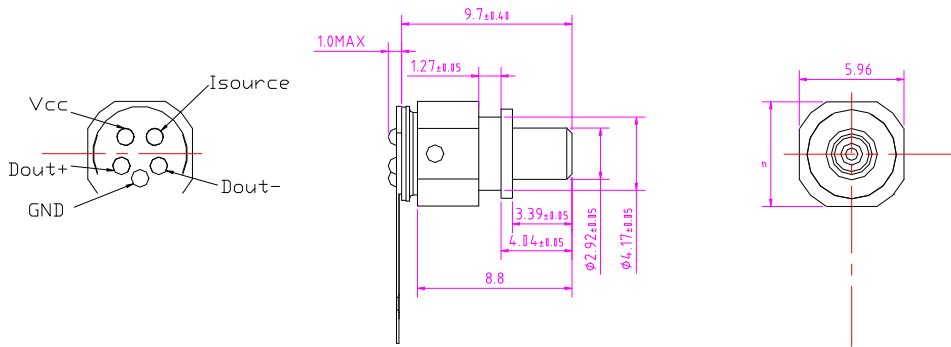
Da a a 10Gb .
 850 d .
 -40 85 O a .
 H ab
 R c d a d ca (RSSI).
 D a O .
 LC a c ba

H d Da a C ca .
 10G G ab E .

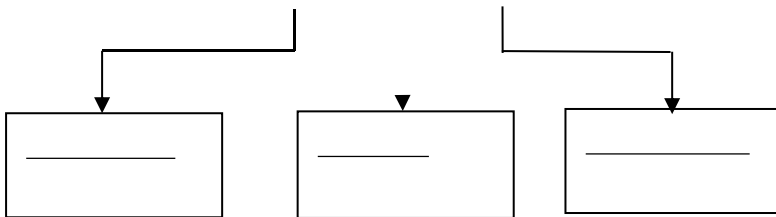
I ca	P	--	5	dB
O a T	T	-40	85	
S	T	-40	100	
L a	--	--	260	
L	--	--	10	

S V a	Vcc	--	3.0	3.3	3.6	V	
S C	Icc	Vcc=3.3V	--	--	40	A	
O a Wa		Vcc=3.3V	830	850	870		
RSSI O C	Id	Vcc=3.3V	--	--	100	A	
O ad	OL	Vcc=3.3V	3	--	--	dB	
S	S	10.3125Gb ,PRBS31, 850 ,ER=4.5dB, BER=10E-12	--	--	-13	dB	





	A	B
1	PAD ASSIGNMENT	
2	PAD1	Vcc
3	PAD2	GND
4	PAD3	DDUT+
5	PAD4	DDUT-
6	PAD5	GND
7	PAD6	Isource



SAN-U